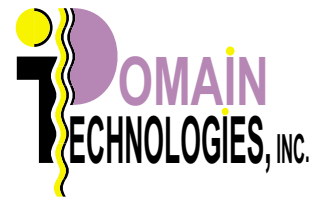


# Audio4-USB

## Portable DSP56307 USB Data Acquisition System



### Features

- ◆ Four 16-bit audio CODECs utilizing two Crystal Semiconductor CS4218.
- ◆ Conversion rates programmable from 8kHz to 48kHz.
- ◆ PC or notebook host interface via 12MHz universal serial bus (USB) connection.
- ◆ Seamless operation with Domain Technologies BoxView C Language Source-Level Debugger and SB-USB JTAG emulator.
- ◆ USB power consumption less than 250 mA.
- ◆ Motorola DSP56307 Digital Signal Processor operating at 100 MHz.
- ◆ Custom applications can be developed using standard Motorola and TASKING code generation tools.
- ◆ Comes complete with USB software drive and sample application.
- ◆ Small size 1" x 4" x 2.5"

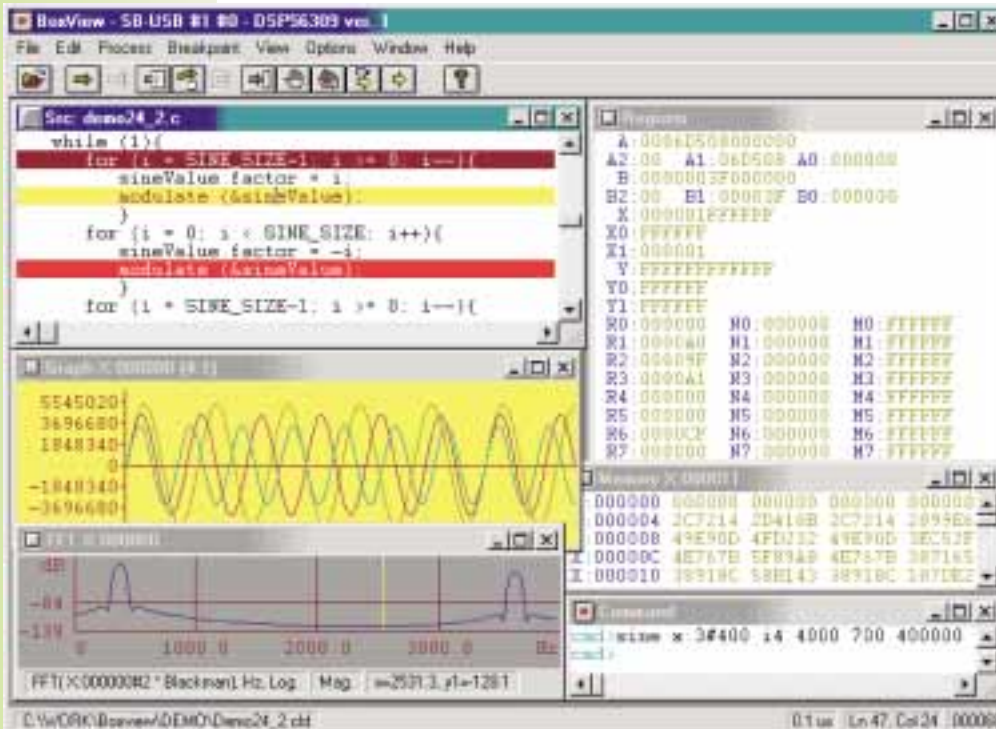


### General Description

Audio4-USB is a portable, USB-powered, data acquisition system based on the Motorola DSP56307 24-bit, fixed-point Digital Signal Processor.

The product features two Crystal Semiconductor stereo 16-bit audio CODECs for a total of four audio input and four audio output channels.

The Audio4-USB and BoxView 56k are directly compatible with both Motorola and TASKING C compilers and is BoxView and SB-USB ready.

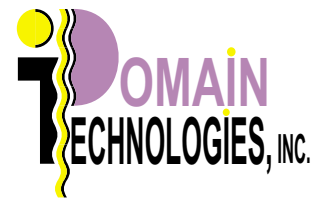


Audio4-56307 Operates Seamlessly with BoxView™ C Source Level Debugger

Domain Technologies, Inc ◆ 811 East Plano Pkwy, Plano TX 75074, USA ◆ <http://www.domaintec.com>

# Audio4-USB

## Portable DSP56307 USB Data Acquisition System



### Ordering information

#### Audio4-56307

Standard four-channel data acquisition system.

#### Audio4-56307-BV

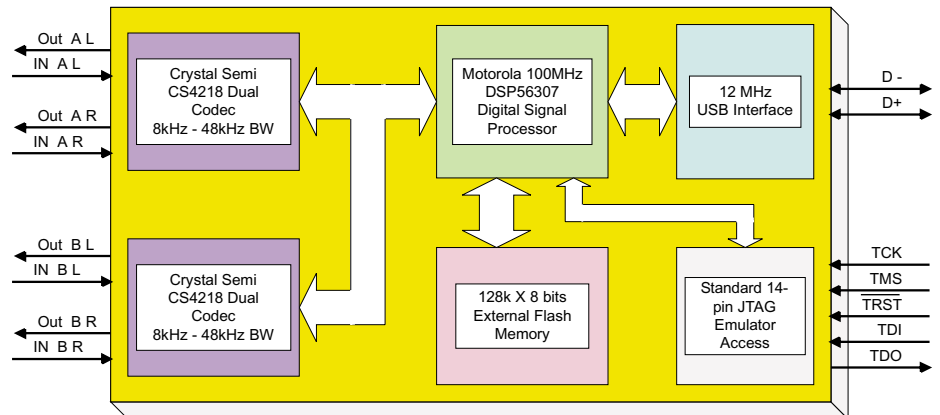
Standard four-channel data acquisition system with BoxView C language source level debugger and USB monitor drivers in both compiled object code and C source code form.

#### Audio4-56307-DC

Microphone daughtercard translates four microphone level inputs to line level inputs and provides the bias voltage required by electret microphones.

#### Audio4-56307-QA

Quad microphone external adaptor connects four electret microphones to two 3.5 mm stereo jacks with selectable connection of bias voltage.



Audio4-56307 Data Acquisition System Block Diagram

### Applications

The Audio4-USB is ideal for desk-top PC or notebook computer signal processing applications requiring the use of a Motorola Digital Signal Processor and USB connectivity and portability.

Example applications include real-time acoustic and audio measurement and analysis, speech synthesis and recognition, vibration measurement and analysis, 3-D sound and signal synthesis.

The standard Audio4-USB comes with sample audio application software in both C source and object form. These libraries provide full control of the embedded DSP56307 using BoxView operating USB monitor mode.

